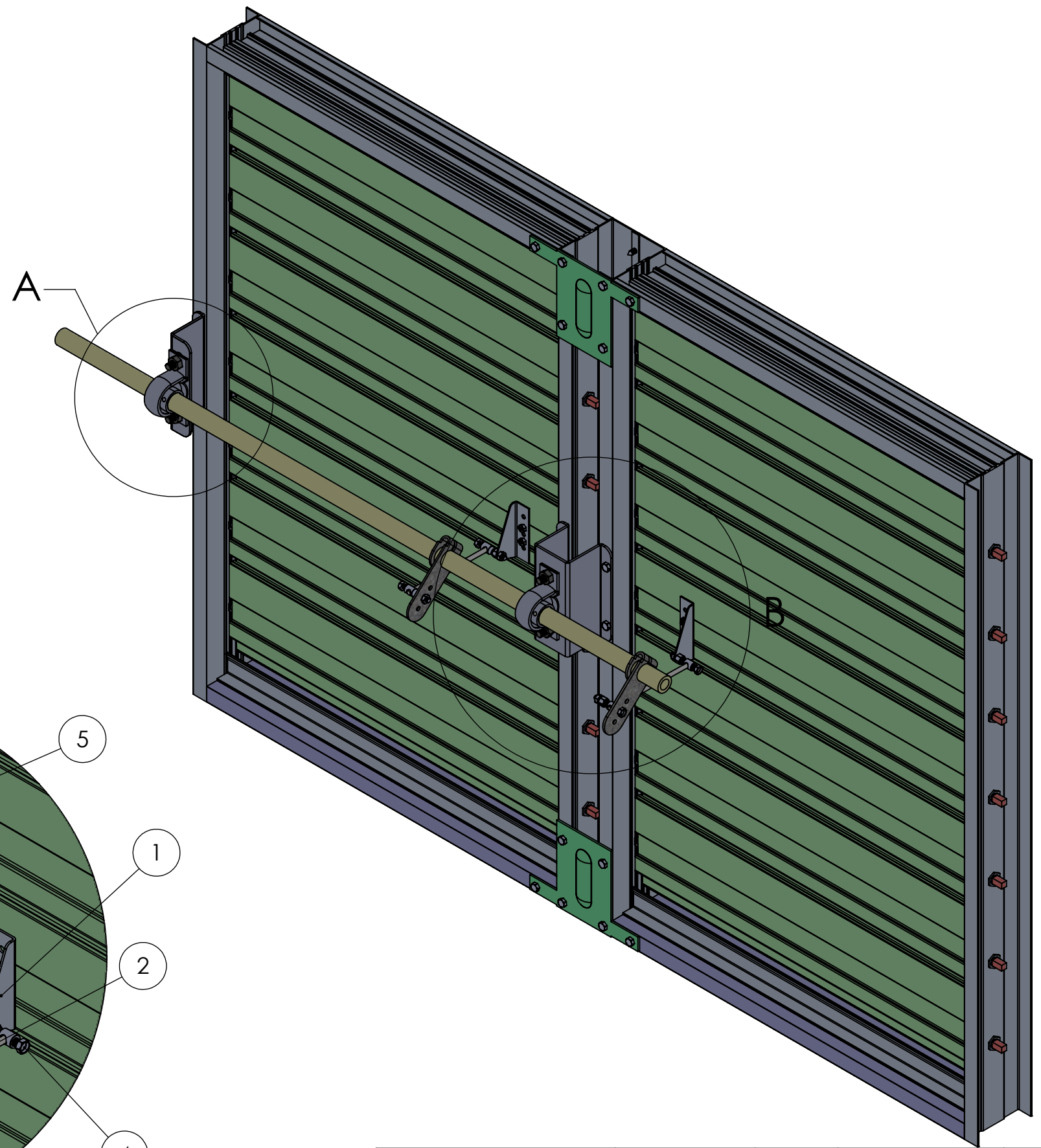
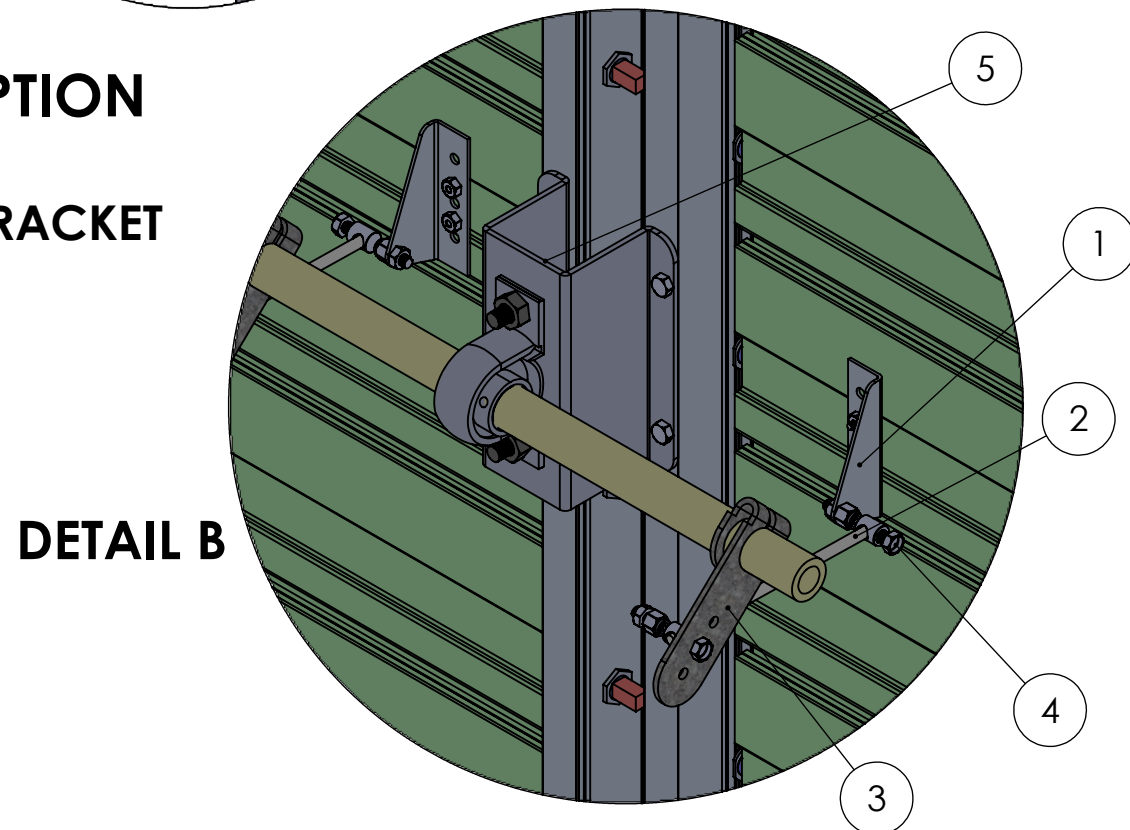
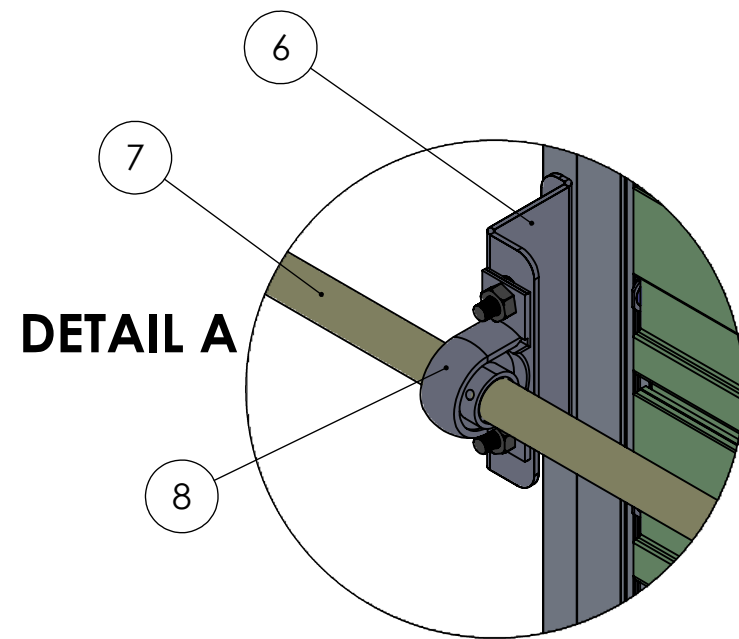


3000 SERIES CONTROL DAMPER HORIZONTAL JACKSHAFT INSTALLATION



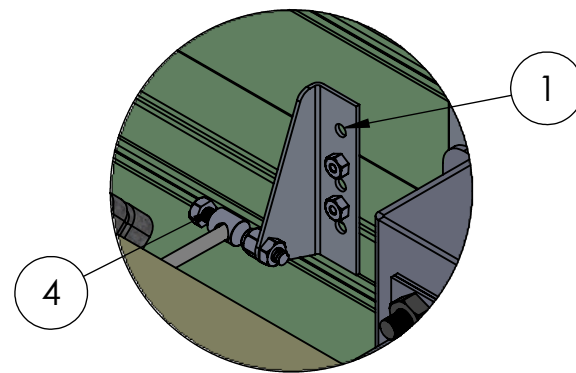
COMPONENT DESCRIPTION

1. BLADE CONNECTING BRACKET
2. TIE ROD
3. CRANK ARM
4. SWIVEL
5. H-BRACKET
6. Z-BRACKET
7. JACK SHAFT
8. BEARING

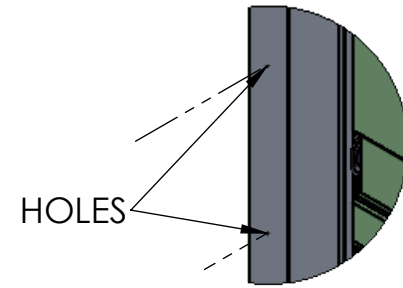
	222 Church St S, Alliston, ON L9R 2B7 TEL: 905-857-4700 FAX: 905-857-4730 TOLL FREE: 1-800-468-7214 www.ventexinc.com	UNLESS OTHERWISE SPECIFIED ALL DIMENSIONS ARE IN INCHES. ALL DIMENSIONS IN () ARE METRIC.		DO NOT SCALE DRAWING		REMOVE ALL BURRS & SHARP CORNERS		UNITS: INCHES (mm)
		DESIGNED BY: JAYNEEL	DATE: 2020-05-27	SCALE: 1:12	REVISION 0			
3965 56.000 X 40.000 - P21L 1885	MATERIAL: REFER TO PART DRAWINGS	DRAWN BY: JAYNEEL	DATE: 2020-05-27	DRAFTER: JAYNEEL	SIZE A			
FINISH: N/A	SHEET 1 OF 1		SW FILE NAME:					



3000 SERIES CONTROL DAMPER HORIZONTAL JACKSHAFT INSTALLATION

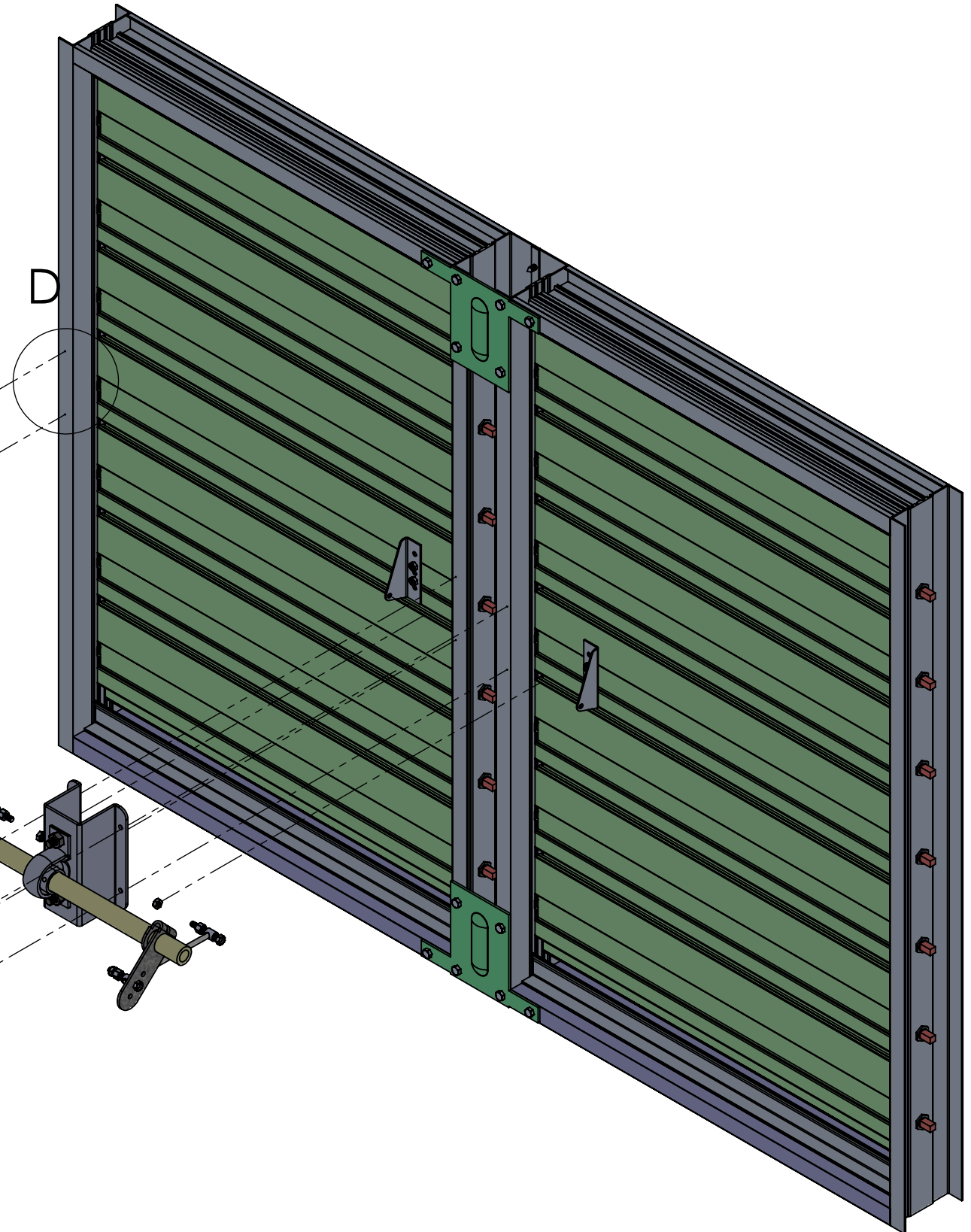


DETAIL C



DETAIL D

JACKSHAFT ASSEMBLY



HORIZONTAL-JACKSHAFT INSTALLATION

1. ALIGN THE JACKSHAFT ASSEMBLY TO THE DAMPER SECTION
2. LOCATE THE POSITION OF MOUNTING BRACKETS(5,6) WITH THE HELP OF HOLES PROVIDED ON THE FRAME
3. FASTEN THE MOUNTING BRACKETS(5,6) TO THE FRAME AS SHOWN WITH SCREWS PROVIDED.
4. BOLT THE SWIVEL(4) WITH BLADE CONNECTING BRACKET(1) AS SHOWN IN "DETAIL C"

	222 Church St S, Alliston, ON L9R 2B7 TEL: 905-857-4700 FAX: 905-857-4730 TOLL FREE: 1-800-468-7214 www.ventxinc.com	UNLESS OTHERWISE SPECIFIED ALL DIMENSIONS ARE IN INCHES. ALL DIMENSIONS IN () ARE METRIC.		DO NOT SCALE DRAWING	REMOVE ALL BURRS & SHARP CORNERS	UNITS: INCHES (mm)
		DESIGNED BY: JAYNEEL	DATE: 2020-05-27	SCALE: 1:12	REVISION 0	
3965 56.000 X 40.000 - P21L 1885	MATERIAL: REFER TO PART DRAWINGS	DRAWN BY: JAYNEEL	DATE: 2020-05-27	DRAFTER: JAYNEEL	SIZE A	
	FINISH: N/A	SHEET 1 OF 1	SW FILE NAME:			